

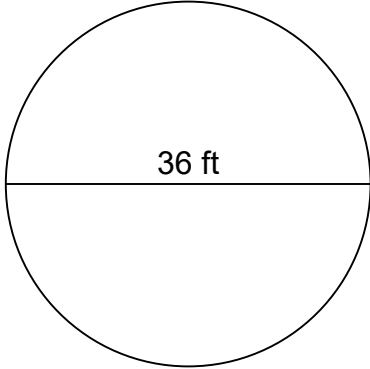
Name: _____

Area and Circumference of Circles

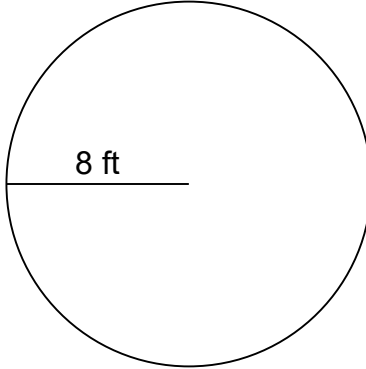
Can you calculate the area AND circumference of each circle?

Calculate the area of each circle. Answer in the correct unit.

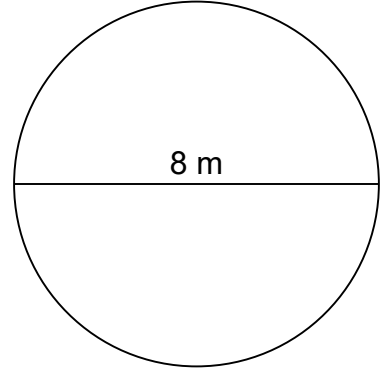
1.



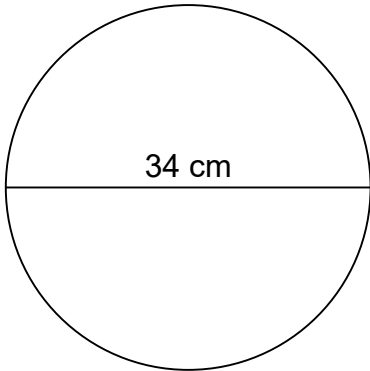
2.



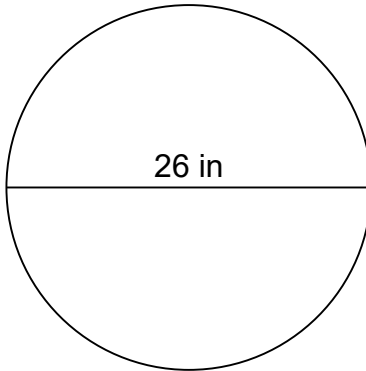
3.



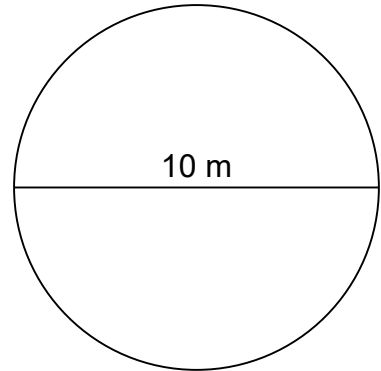
4.



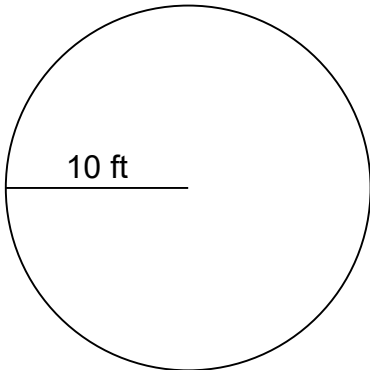
5.



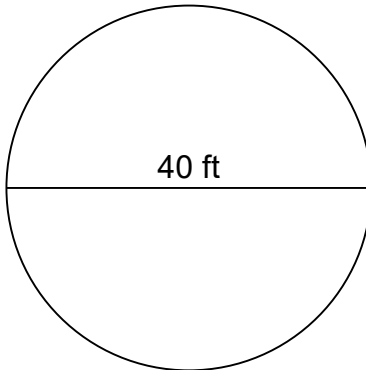
6.



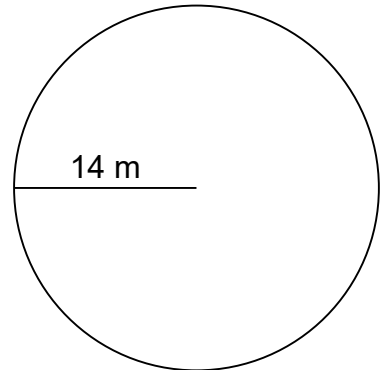
7.



8.



9.



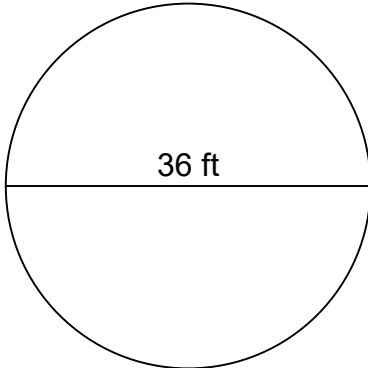
Name: _____

Area and Circumference of Circles

Can you calculate the area AND circumference of each circle?

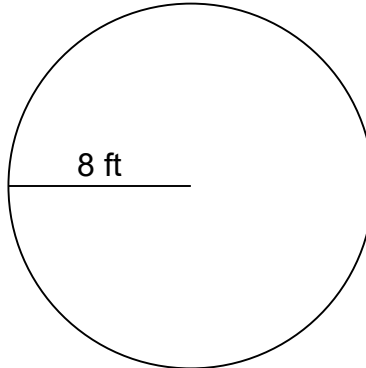
Calculate the area of each circle. Answer in the correct unit.

1.



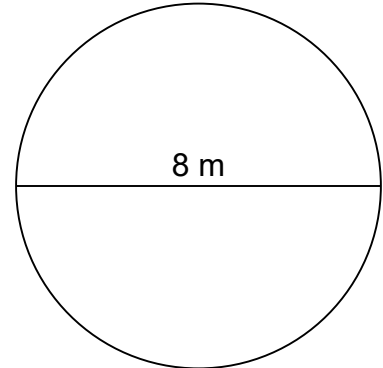
$$C=113.04 \text{ ft}$$
$$A=1,017.36 \text{ ft}^2$$

2.



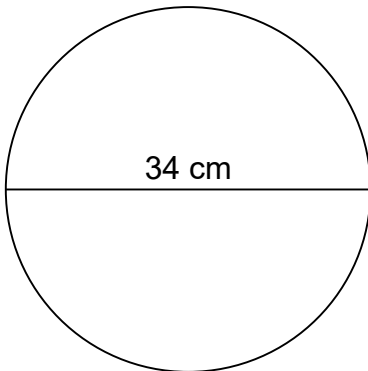
$$C=50.24 \text{ ft}$$
$$A=200.96 \text{ ft}^2$$

3.



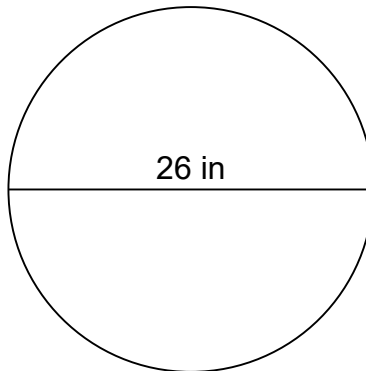
$$C=25.12 \text{ m}$$
$$A=50.24 \text{ m}^2$$

4.



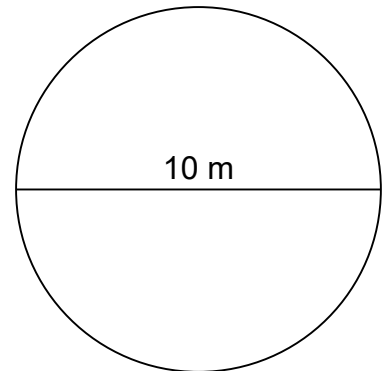
$$C=106.76 \text{ cm}$$
$$A=907.46 \text{ cm}^2$$

5.



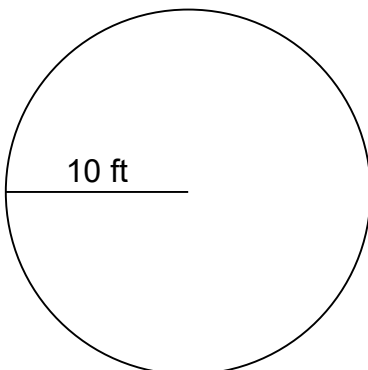
$$C=81.64 \text{ in}$$
$$A=530.66 \text{ in}^2$$

6.



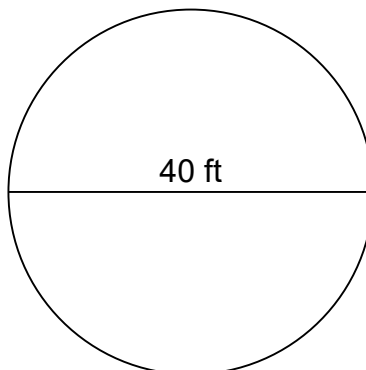
$$C=31.40 \text{ m}$$
$$A=78.50 \text{ m}^2$$

7.



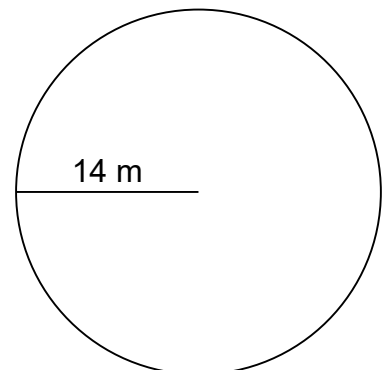
$$C=62.80 \text{ ft}$$
$$A=314.00 \text{ ft}^2$$

8.



$$C=125.60 \text{ ft}$$
$$A=1,256.00 \text{ ft}^2$$

9.



$$C=87.92 \text{ m}$$
$$A=615.44 \text{ m}^2$$