



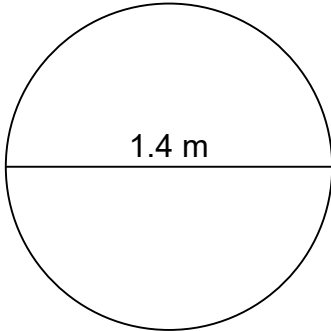
Name: _____

Area and Circumference of Circles

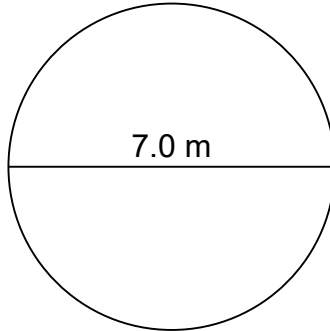
Can you calculate the area AND circumference of each circle?

Calculate the area and circumference of each circle.

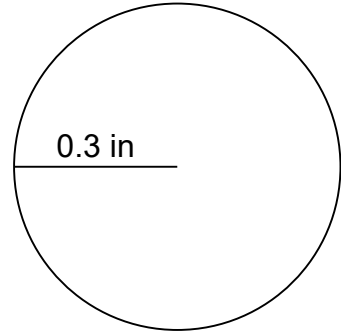
1.



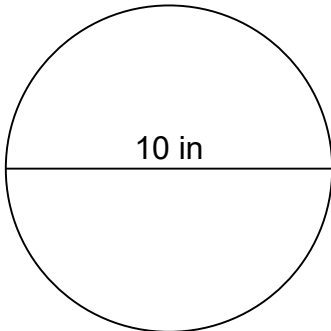
2.



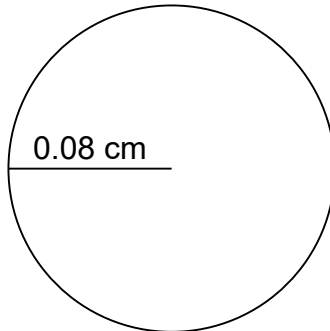
3.



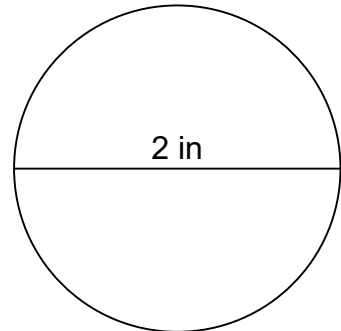
4.



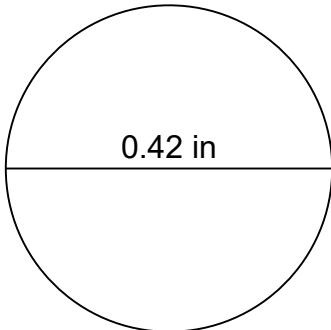
5.



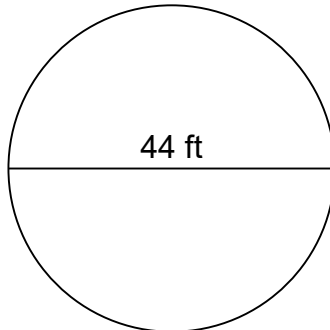
6.



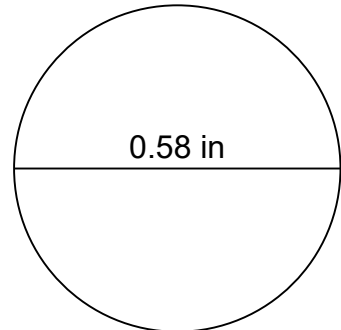
7.



8.



9.





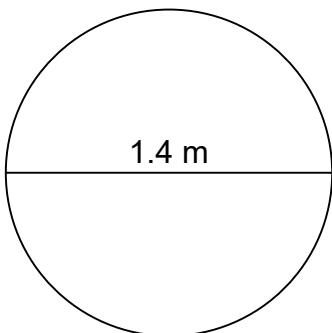
Name: _____

Area and Circumference of Circles

Can you calculate the area AND circumference of each circle?

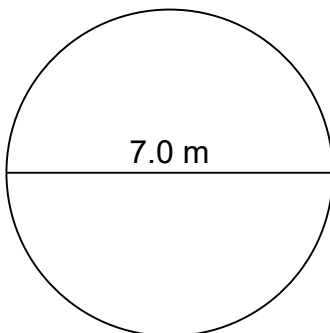
Calculate the area and circumference of each circle.

1.



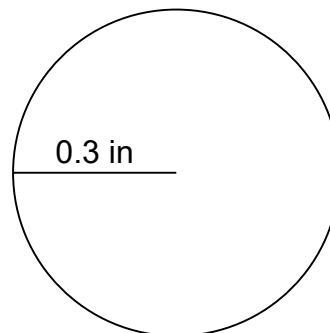
$$C=4.396 \text{ m}$$
$$A=1.5386 \text{ m}^2$$

2.



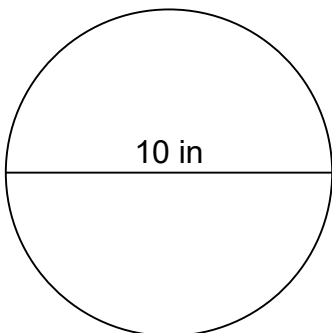
$$C=21.980 \text{ m}$$
$$A=38.4650 \text{ m}^2$$

3.



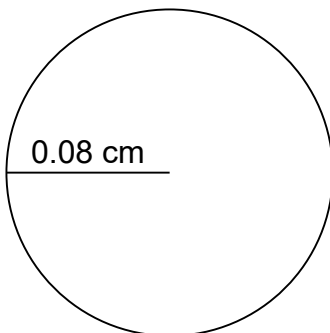
$$C=1.884 \text{ in}$$
$$A=0.2826 \text{ in}^2$$

4.



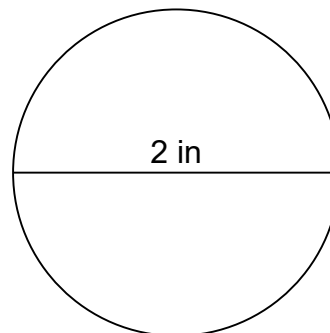
$$C=31.40 \text{ in}$$
$$A=78.50 \text{ in}^2$$

5.



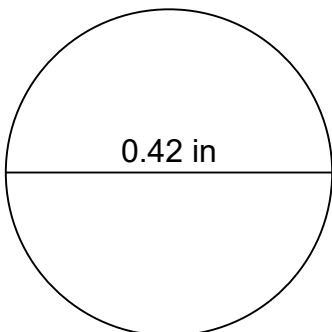
$$C=0.5024 \text{ cm}$$
$$A=0.020096 \text{ cm}^2$$

6.



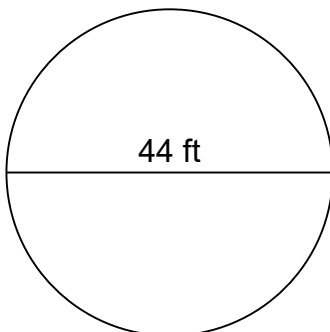
$$C=6.28 \text{ in}$$
$$A=3.14 \text{ in}^2$$

7.



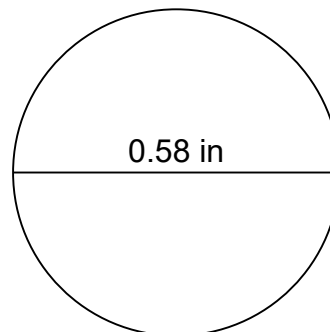
$$C=1.3188 \text{ in}$$
$$A=0.138474 \text{ in}^2$$

8.



$$C=138.16 \text{ ft}$$
$$A=1,519.76 \text{ ft}^2$$

9.



$$C=1.8212 \text{ in}$$
$$A=0.264074 \text{ in}^2$$