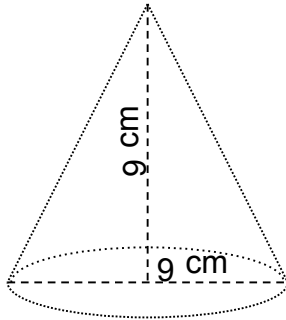




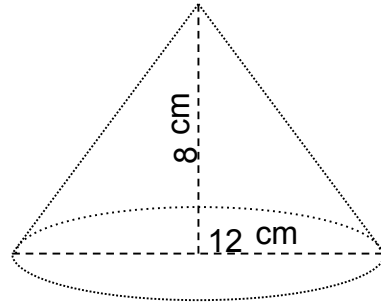
Name: _____

Calculate the Surface Area

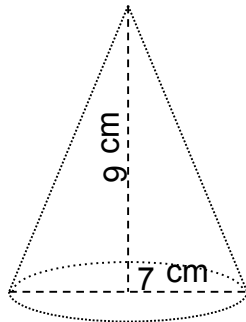
1.



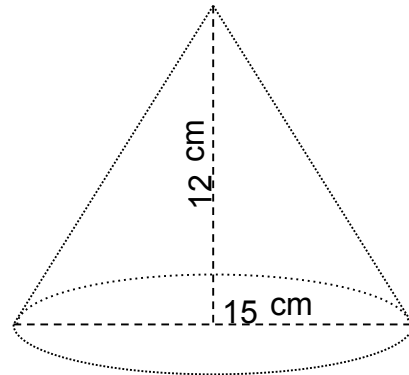
2.



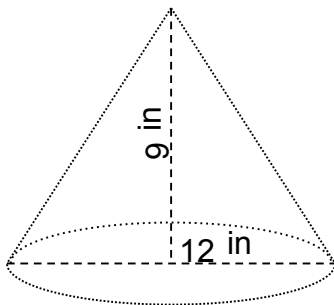
3.



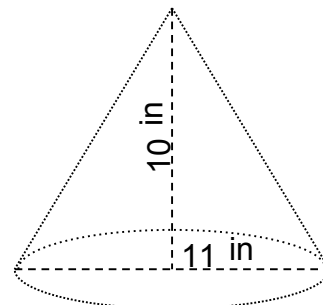
4.



5.



6.

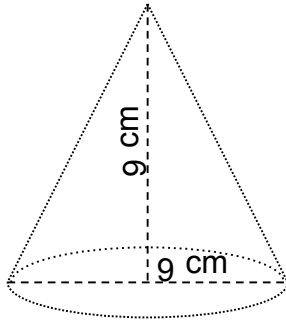




Name: _____

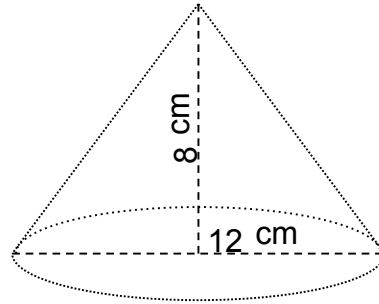
Calculate the Surface Area

1.



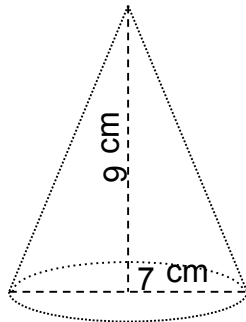
$$SA = 206 \text{ cm}^2$$

2.



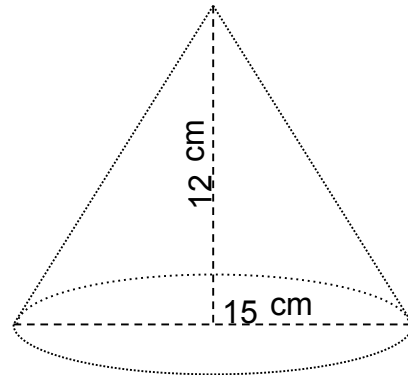
$$SA = 302 \text{ cm}^2$$

3.



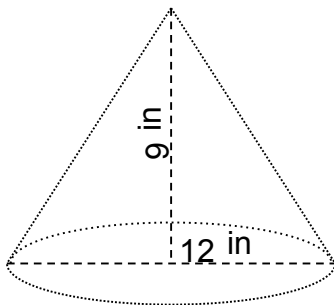
$$SA = 145 \text{ cm}^2$$

4.



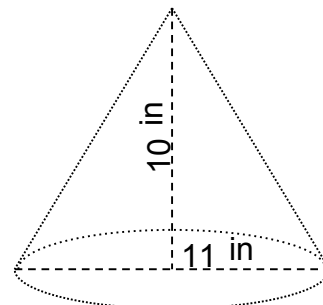
$$SA = 510 \text{ cm}^2$$

5.



$$SA = 317 \text{ in}^2$$

6.



$$SA = 292 \text{ in}^2$$